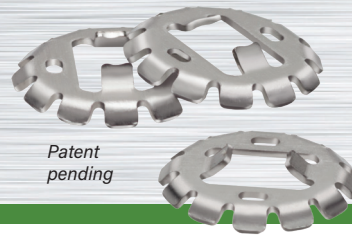


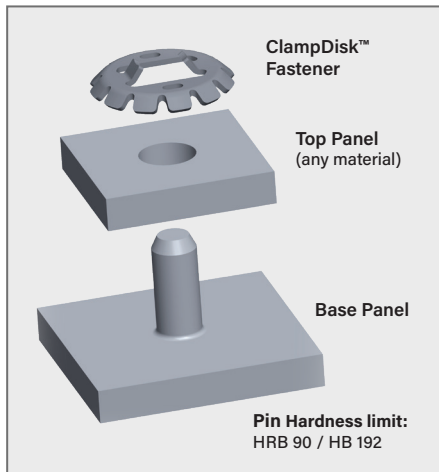
Removable fastener designed to replace screws, adhesive, rivets and other small fasteners

The CDS™ microPEM® ClampDisk™ fastener presses straight onto a 1 mm pin to replace threads, adhesive, rivets and other small fasteners. The upward flanges of the disk grip onto the pin and prevent push-off while the downward flanges flex and generate clamp load.

- Clamp load generation
- Simple installation
- Removability
- Works with multiple panels of any material
- Limited installation stress to assemble
- Tamper resistant

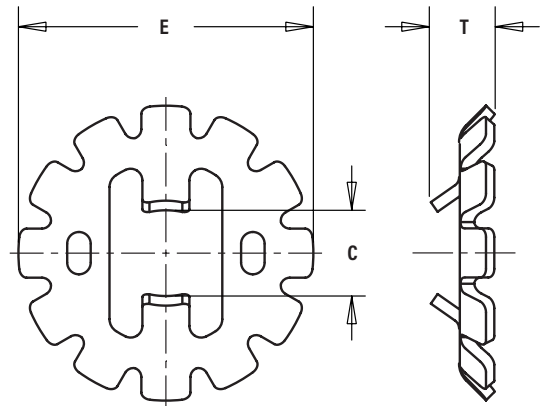


**NEW**



### PART NUMBER DESIGNATION

**CD**      **S**      -      **100**  
 ↓            ↓            ↓  
 Type      Material      Pin Diameter Code



All dimensions are in millimeters.

METRIC	Type and Material	Pin Diameter Code	Pin Diameter +0.05 -0.03	Pin Length Min.	C Nom.	E Nom.	T Nom.
	CDS	100	1	0.8	0.91	3.2	0.69

### MATERIAL AND FINISH SPECIFICATIONS

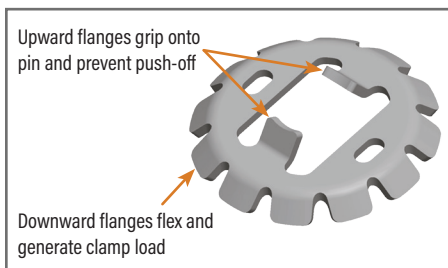
**Fastener Material:** Stainless Steel

**Standard Finish:** Passivated and/or tested per ASTM A380 (1)

**For use with:** Any panel material (2)

(1) See PEM® Technical Support section of our website for related plating standards and specifications.

(2) The top panel can be any material and the pin must be under a max hardness of HRB 90 / HB 192.



# microPEM® ClampDisk™ Fastener

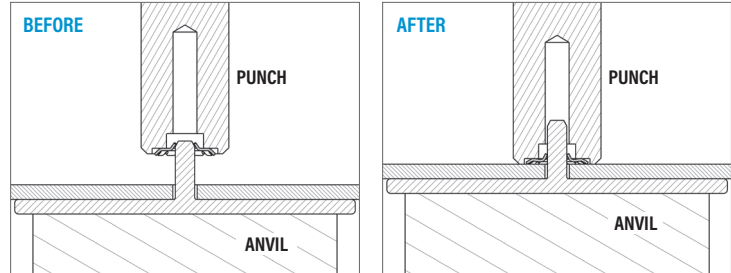
Removable fastener designed to replace screws, adhesive, rivets and other small fasteners

## INSTALLATION

1. Place ClampDisk™ fastener over a pin.
2. With the installation punch and anvil surfaces parallel, apply squeezing force until the punch contacts the mounting sheet. The drawings at the right indicate suggested tooling for applying these forces.

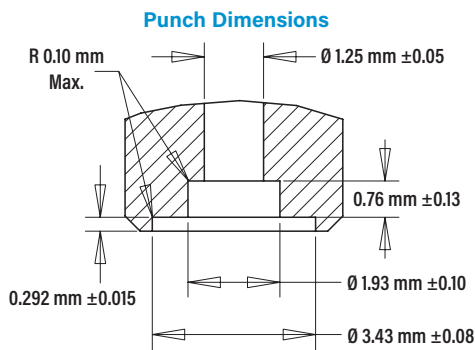
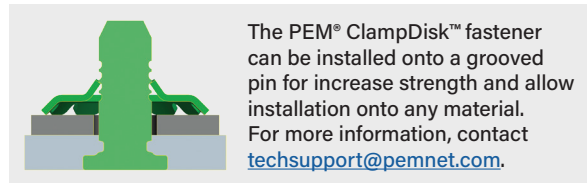
## REMOVAL

For service or maintenance, the ClampDisk fastener can be easily removed with a sharp edge tool. For reassembly, simply install a new fastener.



## Installation Tooling

Fastener Part Number	Punch Part Number	Anvil Part Number
CDS-100	8025386	975200046



## PERFORMANCE DATA<sup>(1)</sup>

Part Number	Test Pin Material	Installation (kN) <sup>(1)</sup>	Pull-off (N)	Clamp Load (N)
CDS-100	6061-T6 Aluminum	0.33	18.1	7

(1) Specially designed installation punch prevents over-installation and damage to the fastener.

© 2019 PennEngineering.

All PEM® products meet our stringent quality standards. If you require additional industry or other specific [quality certifications](#), special procedures and/or part numbers are required. Please contact your local sales office or representative for further information.

Regulatory [compliance information](#) is available in Technical Support section of our website. Specifications subject to change without notice. See our website for the most current version of this bulletin.

**PennEngineering®**



To order contact:

**North America:** Danboro, Pennsylvania USA • E-mail: [info@pemnet.com](mailto:info@pemnet.com) • Tel: +1-215-766-8853 • 800-237-4736 (USA)

**Europe:** Galway, Ireland • E-mail: [europa@pemnet.com](mailto:europa@pemnet.com) • Tel: +353-91-751714

**Asia/Pacific:** Singapore • E-mail: [singapore@pemnet.com](mailto:singapore@pemnet.com) • Tel: +65-6-745-0660

Shanghai, China • E-mail: [china@pemnet.com](mailto:china@pemnet.com) • Tel: +86-21-5868-3688

Visit our PEMNET™ Resource Center at [www.pemnet.com](http://www.pemnet.com) • Technical support e-mail: [techsupport@pemnet.com](mailto:techsupport@pemnet.com)