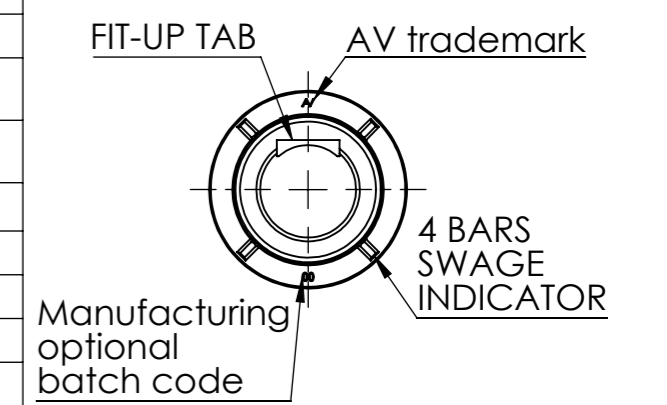


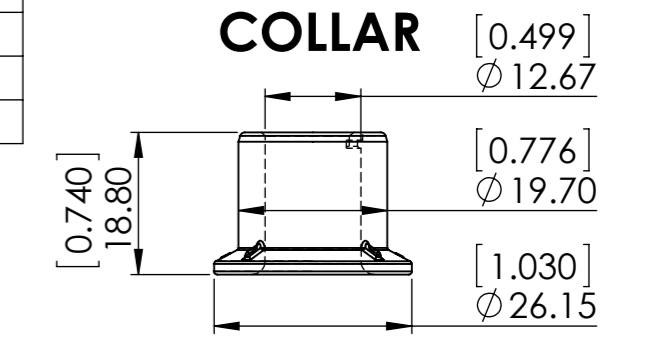
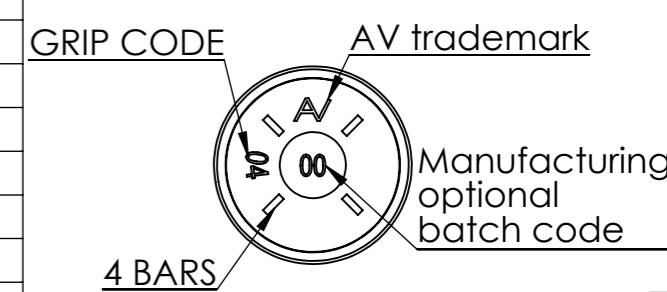
NeoBolt® XT - IMPERIAL SERIES

PIN PART NUMBER	GRIP CODE	COLLAR PART NUMBER	IMPERIAL - DIMENSIONS (INCHES)			METRIC - DIMENSIONS (mm)			INSTALLED PERFORMANCE TYPICAL KN [lbs]			WEIGHT INSTALLED PIN AND COLLAR
			GRIP *	A	B	GRIP *	A	B	SHEAR	TENSION	CLAMP	GRAMS
12852-11601	1	12802-31600	0.063 - 0.438	0.009	1.688	1.60 - 11.12	0.24	42.88	72.9 [16,400]	94.7 [21,300]	70.3 [15,800]	77.92
12852-11604	4		0.295 - 0.620	0.198	1.877	7.50 - 15.75	5.04	47.68				82.70
12852-11608	8		0.545 - 0.870	0.448	2.127	13.85 - 22.10	11.39	54.03				88.99
12852-11612	12		0.795 - 1.120	0.698	2.377	20.20 - 28.45	17.74	60.38				95.28
12852-11616	16		1.045 - 1.370	0.948	2.627	26.55 - 34.80	24.09	66.73				101.57
12852-11620	20		1.295 - 1.620	1.198	2.877	32.90 - 41.15	30.44	73.08				107.86
12852-11624	24		1.545 - 1.870	1.448	3.127	39.25 - 47.50	36.79	79.43				114.16
12852-11628	28		1.795 - 2.120	1.698	3.377	45.60 - 53.85	43.14	85.78				120.45
12852-11632	32		2.045 - 2.370	1.948	3.627	51.95 - 60.20	49.49	92.13				126.74
12852-11636	36		2.295 - 2.620	2.198	3.877	58.30 - 66.55	55.84	98.48				133.03
12852-11640	40		2.545 - 2.870	2.448	4.127	64.65 - 72.90	62.19	104.83				139.32
12852-11644	44		2.795 - 3.120	2.698	4.377	71.00 - 79.25	68.54	111.18				145.61
12852-11648	48		3.045 - 3.370	2.948	4.627	77.35 - 85.60	74.89	117.53				151.91
12852-11652	52		3.295 - 3.620	3.198	4.877	83.70 - 91.95	81.24	123.88				158.20
12852-11656	56		3.545 - 3.870	3.448	5.127	90.05 - 98.30	87.59	130.23				164.49
12852-11660	60		3.795 - 4.120	3.698	5.377	96.40 - 104.65	93.94	136.58				170.78
12852-11664	64		4.045 - 4.370	3.948	5.627	102.75 - 111.00	100.29	142.93				177.07
12852-11668	68		4.295 - 4.620	4.198	5.877	109.10 - 117.35	106.64	149.28				183.37
12852-11672	72		4.545 - 4.870	4.448	6.127	115.45 - 123.70	112.99	155.63				189.66
12852-11676	76		4.795 - 5.120	4.698	6.377	121.80 - 130.05	119.34	161.98				195.95
12852-11680	80	5.361 - 5.686	4.948	6.627	136.18 - 144.43	125.69	168.33	202.24				

COLLAR HEAD MARKING

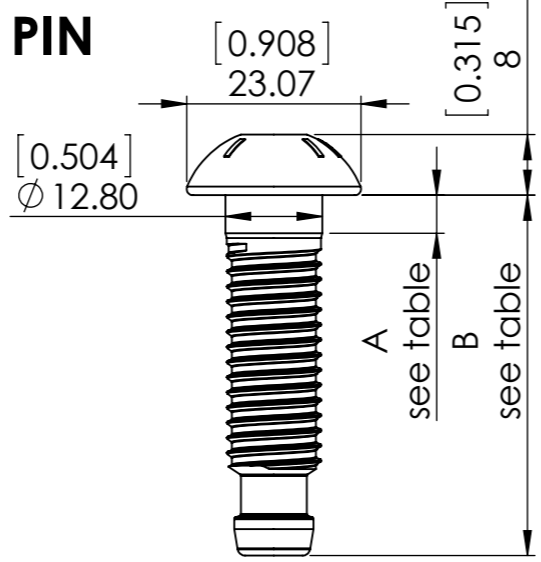
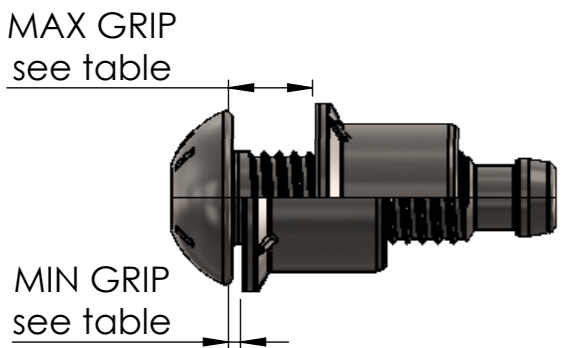


PIN HEAD MARKING



- NOTES**
- "Patent applied for"
 - "NeoBolt®, Avdel® and the "AV-symbol" are registered trademarks of Avdel UK Limited"
 - * Grip range with Avdel AV15 placing tool
 - MAX. Recommended installation hole size 9/16" (INCHES), 14.28mm (METRIC)
 - MIN. Recommended installation hole size .516" (INCHES), 13.1mm (METRIC)

INSTALLED NeoBolt® FASTENER



CUSTOMER SPECIFIC DRAWING FOR CUSTOMER		PART DESCRIPTION		PART NUMBER	see table
LIMITS UNLESS STATED	DECIMAL ±0.13mm ANGULAR ± 1/2 DEGREE DRILL EN 20286/BS 1916-H11 SURFACE N8 TEXTURE	DIMENSIONS IN mm UNLESS STATED INCH DIMENSIONS IN PARENTHESES REMOVE ALL BURRS AND SHARP EDGES		This document is the property of Avdel UK Limited and is issued on the express terms that it is to be treated as private and confidential and is not to be communicated to any other person. All patents, manufacturing and design rights are reserved by Avdel UK Limited.	
MATERIAL	PIN - MEDIUM CARBON STEEL, COLLAR - LOW CARBON STEEL				
HEAT TREATMENT	PIN - HARDENED AND TEMPERED, COLLAR - ANNEALED				
SURFACE TREATMENT	PIN - BLACK (OIL), COLLAR - (0.0004") Zn PLATED			LUBRICATION	
DRAWN	DATE	ISSUE	A	A2	
AYMAN SALEH	31/05/2017	C.N.	16/259	17/185	
DRAWING DESCRIPTION	NeoBolt® XT				
		WEIGHT		DO NOT SCALE	
		DRAWING NUMBER		12852-116S	
					Size: A3
					Scale: 1:1
					Sheet: 1 of 1
					Revision: A2